

GT-8069/8070 Automotive / Truck Wheel Clamp

GT-8069 GT-8070

Please read instructions before using.

Instructions

1. Clamps attach quickly to either the inside or outside rim edge. Tighten the rim clamps securely so that they cannot be pulled from the wheel.
2. Adjustments for wheel runout are made with the (3) adjusting knobs of the runout compensating adapter on the rim clamp. See figure 1.

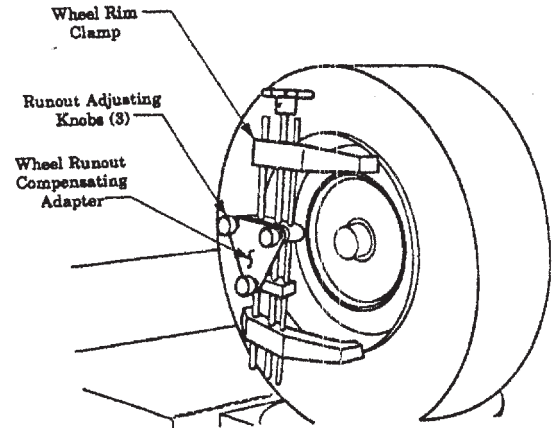


Fig. 1